

**RAUPENFAHRWERK
TRACKED CHASSIS
TRACTION A CHENILLE**

TFW

D

GB

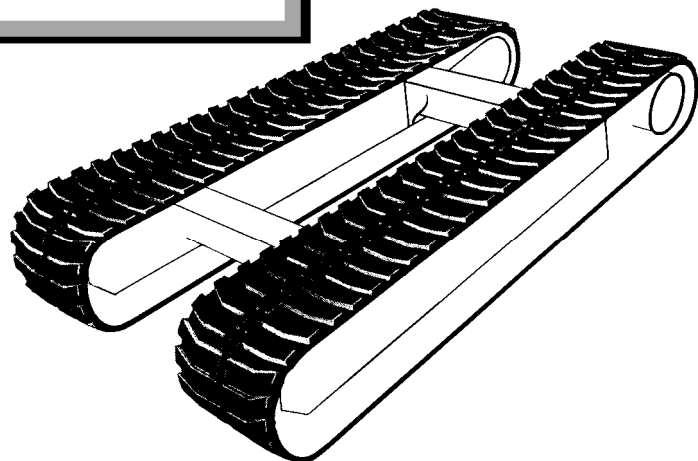
F

Ersatzteilliste

Spare parts list

**Catalogue de
pièces**

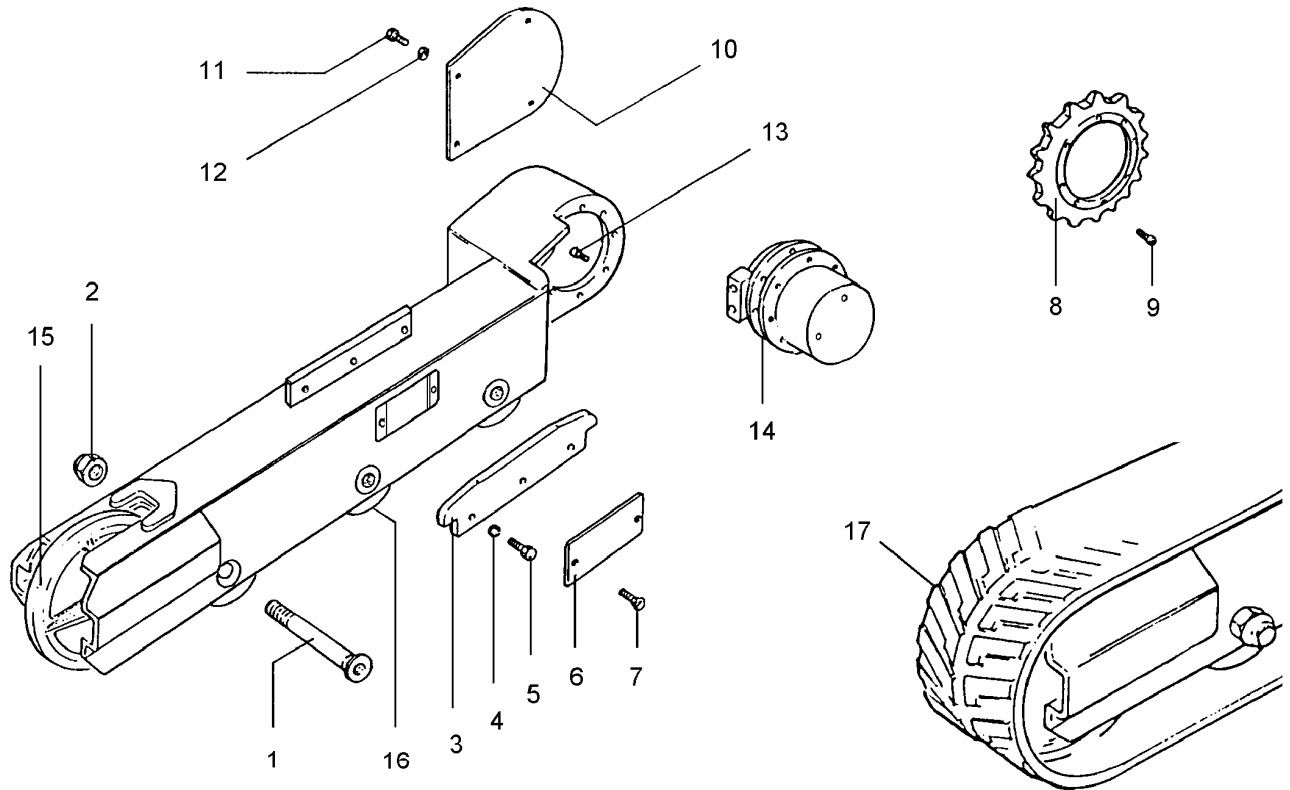
**HAINZL / EUROCAT
150 LSE**



**Bauklasse 1.3
3 - rollige Ausführung**

**Construction class 1.3
3 - roller type**

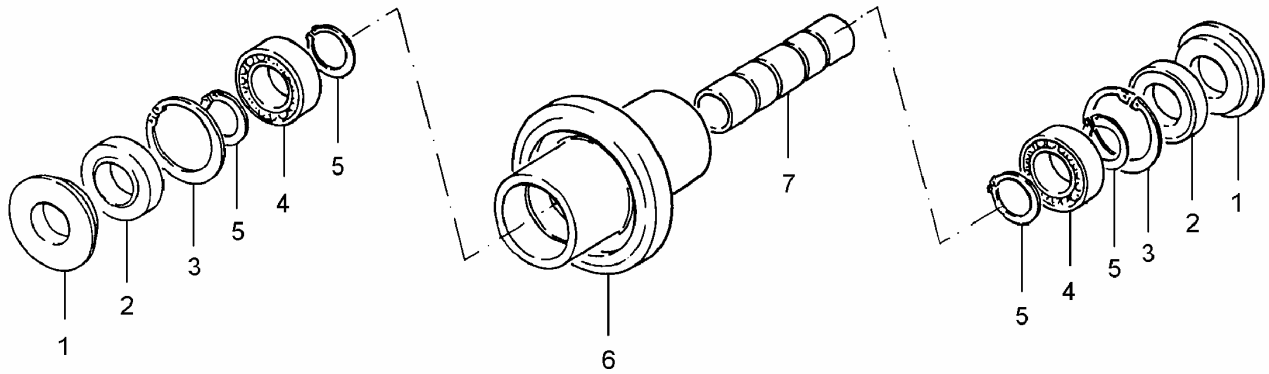
**Classe de construction 1.3
3 - poulie type**



© Copyright by TFW - Fahrtechnik

POS NO.	BEST. NR. ORD. NO.	STK QNT	BENENNUNG	DESCRIPTION	DESIGNATION	BEMERKUNG REMARK, REMARQUE
1	1018.101	6	SENKSCHRAUBE	COUNTERSU.SCREW	VIS NOYE	M 20 x 135 DIN 7991 10.9
2	1018.600	6	MUTTER	NUT	ECROU A SIX PANS	M 20 DIN 985 6/8
3	1131.125	2	GLEITKUFE	SLIDE SKID	PATIN GLISSANT	REF. 1131.24
4	1019.154	6	FEDERRING	SPRING WASHER	RONDELLE A RESSORT	M 8 DIN 127
5	1018.150	6	SCHRAUBE	BOLT	VIS A TETE SIX PANS	M 8 x 25 DIN 933 8.8
6		2	DECKEL 170 x 90 MM	COVER	COUVERCLE	Ref. 6131.31.0.4 170 x 90 MM
7	1018.158	4	SCHRAUBE	BOLT	VIS A TETE SIX PANS	M 8 x 15 DIN 933 8.8
8	1007.281	2	ANTRIEBSRAD	SPROCKET	JANTE DENTEE	REF. 1007.05.3.2 Z = 14 10 Bohrungen Ø 9 mm
8	1007.275	2	ANTRIEBSRAD	SPROCKET	JANTE DENTEE	REF. 1007.16.0.3 Z = 14 8 Bohrungen Ø 11 mm
9	1018.014	18	SCHRAUBE ISEKA	ALLEN SCREW	VIS A TROU SIX PANS	M 8 x 25 DIN 912 / 10.9
10		2	GETRIEBEBEDECKEL	GEAR COVER	COUVERCLE D'ENGRENAGE	REF. 1172.03.1.3
11	1018.151	8	SCHRAUBE	BOLT	VIS A TETE SIX PANS	M 8 x 20 DIN 933 8.8
12	1019.001	8	U-SCHEIBE	WASHER	RONDELLE	M 8 DIN 128
13	1018.015	18	SCHRAUBE ISEKA	ALLEN SCREW	VIS A TROU SIX PANS	M 10 x 25 DIN 912 / 10.9
14		2	FAHRANTRIEB INKL. HYDRAULIKMOTOR ML 087 / OMSS 125	WHEEL GEAR INCL. HYD. MOTOR ML 087 / OMSS 125	ENTRAINEMENT PLANET. INCL. MOT. HYDRAULIQUE ML 087 / OMSS 125	TAF. FIG. PLAN.
15		2	LEITRAD	IDLER	ROUE GUIDAGE	TAF. FIG. PLAN. 13.30.400
15		2	SPANNPAKET	ADJUSTING DEVICE	DISPOSITIV DE SERRAGE	TAF. FIG. PLAN. 13.30.301
16		6	LAUFROLLE	ROLLER	POULIE	TAF. FIG. PLAN. 13.30.350
17	1012.026	2	GUMMIRAUPENBAND	RUBBER CRAWLER	CHENILLE CAOUTCHOUC	230 x 43 x 72

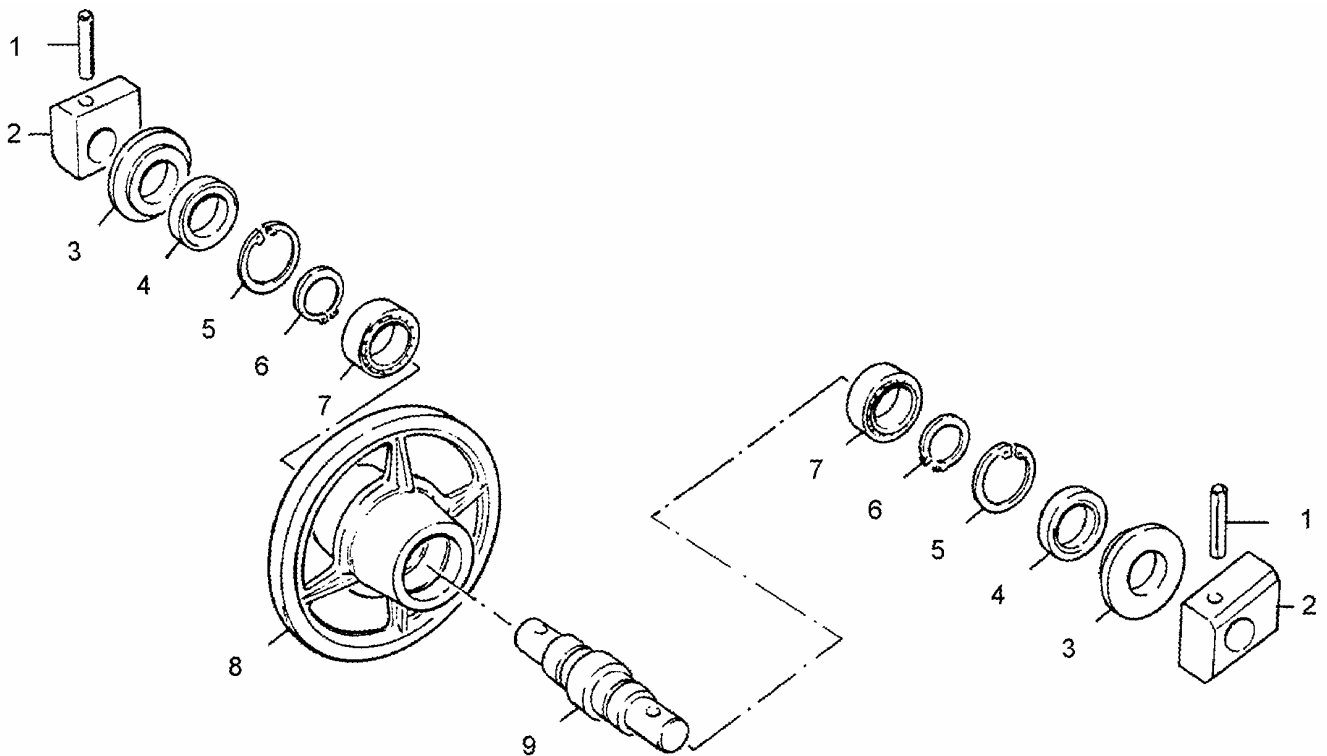
RAUPENFAHRSCIFF 3 - ROLLIG	TRACK ASSEMBLY 3 - ROLLER TYPE	TRACTION A CHENILLE 3 - POULIE TYPE	150 LSE	13.30.269
-------------------------------	-----------------------------------	--	---------	-----------



© Copyright by TFW - Fahrtechnik

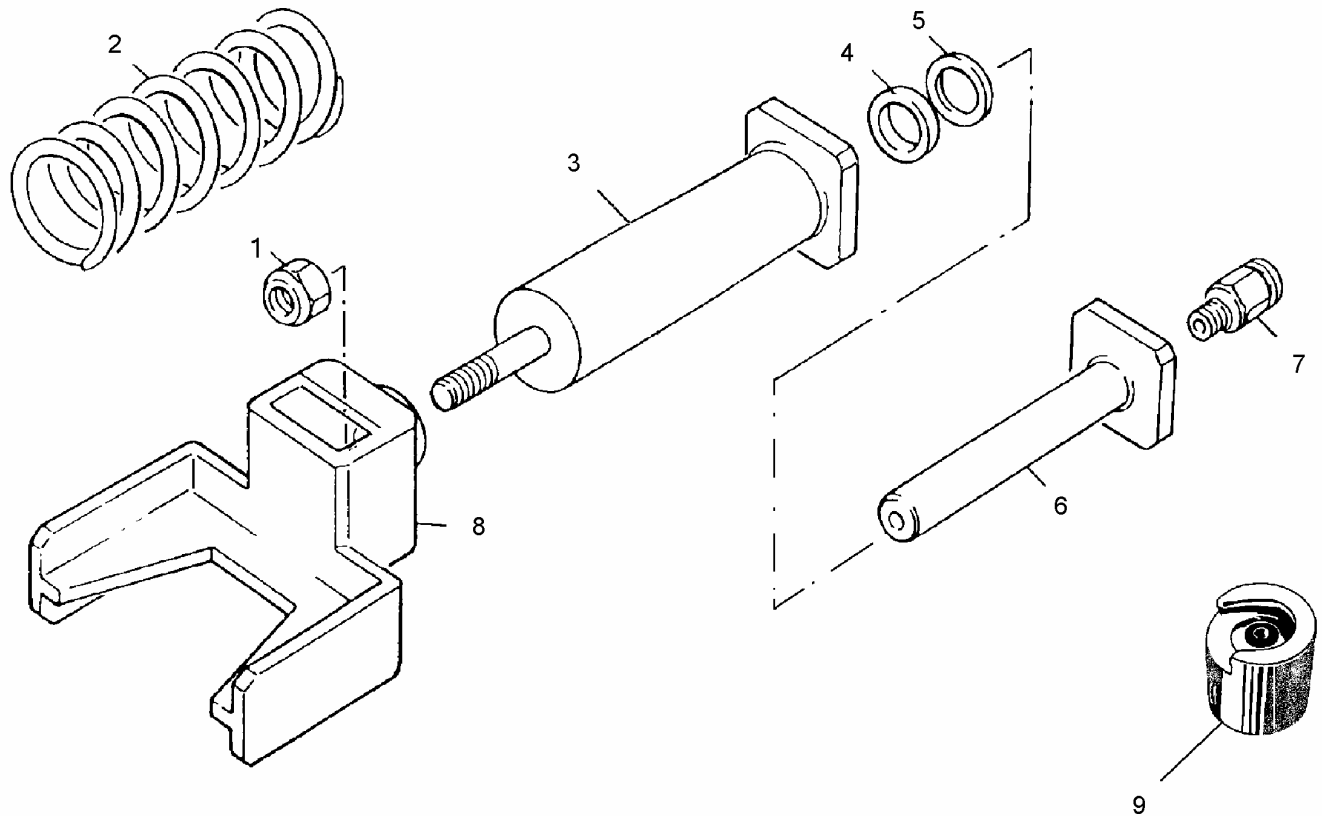
POS NO.	Best. NR. ORD. NO.	STK QNT	BENENNUNG	DESCRIPTION	DESIGNATION	BEMERKUNG REMARK, REMARQUE
	1002.010	1	LAUFROLLE KPL.	ROLLER CPL.	POULIE COMPLETE	REF. 1001.02 POS. 1 - 7
1	1002.600	2	DECKSCHEIBE	WASHER	RONDELLE	REF. 1002.06 POLYAMID Ø 64 x 7
2	1021.502	2	RADIALDICHTRING	OIL SEAL	JOINT D'ETANCHEITE	Ø 55 / 30 x 10
3	1019.353	2	SICHERUNGSRING	CIRCLIP	ANNEAU DE RETENUE	Ø 55
4	1021.002	2	KUGELLAGER	BALL BEARING	ROULEMENT A BILLES	6006 2 RS
5	1019.402	4	SICHERUNGSRING	CIRCLIP	ANNEAU DE RETENUE	Ø 30
6	1002.200	1	LAUFROLLE	ROLLER	POULIE	REF. 1002.04 Ø 130
7	1002.400	1	WELLE	AXLE	ESSIEU	REF. 1002.05 Ø 30 x 88

LAUFROLLE Ø 130 REF. 1001.02	ROLLER Ø 130 REF. 1001.02	POULIE Ø 130 REF. 1001.02		13.30.350
---------------------------------	------------------------------	------------------------------	--	------------------



POS NO.	BEST. NR. ORD. NO.	STK QNT	BENENNUNG	DESCRIPTION	DESIGNATION	BEMERKUNG REMARK, REMARQUE
	1004.010	1	LEITRAD	IDLER	ROUE DE GUIDAGE	POS. 1 - 9
1	1019.502	2	SPANNHUELSE	ADAPTOR SLEEVE	DOUILLE DE SERRAGE	10 x 50
2	1004.500	2	LAGERBOCK	BEARING SUPPORT	SUPPORT DE PALIER	82 x 50 x 30
3	1004.300	2	DECKSCHEIBE	WASHER	RONDELLE	REF. 1005.08
4	1021.501	2	RADIALDICHRING	OIL SEAL	JOINT D'ETANCHEITE	B 1 SL / 35 / 62 x 7
5	1019.352	2	SICHERUNGSRING	CIRCLIP	ANNEAU DE RETENUE	Ø 62
6	1019.401	2	SICHERUNGSRING	CIRCLIP	ANNEAU DE RETENUE	Ø 35
7	1021.001	2	KUGELLAGER	BALL BEARING	ROULEMENT A BILLES	6007 2 RS
8	1004.100	1	LEITRAD LOSE	IDLER	ROUE DE GUIDAGE	Ø 290
9	1004.200	1	WELLE	AXLE	ESSIEU	Ø 45 x 160

LEITRAD 1004.04	IDLER 1004.04	ROUE DE GUIDAGE 1004.04	13.30.400
--------------------	------------------	----------------------------	-----------



© Copyright by TFW - Fahrtechnik

POS NO.	BEST. NR. ORD. NO.	STK QNT	BENENNUNG	DESCRIPTION	DESIGNATION	BEMERKUNG REMARK, REMARQUE
	1135.002	1	SPANNPAKET KPL.	ADJUSTING DEVICE COMPLETE	DISPOSITIV DE SERRAGE	Kl. 1.5 / Pos. 1 - 8
1	1018.606	1	SICH. MUTTER STAHL	LOCK - NUT STEEL	ECROU A SIX PANS	M 16 DIN 980V / 8.8
2	1135.131	1	SPANNFEDER	TENSION SPRING	RESSORT DE TENSION	Ø 16 x 265
3	1135.110	1	ZYLINDERROHR	CYLINDER TUBE	TUYAU DE CYLINDRE	
4	1015.451	1	NUTRING	U-RING	BAGUE RAINUREE	Ø 30 / 38 x 9
5	1015.500	1	ABSTREIFER	WIPER SEAL	SEGMENT RACLEUR	Ø 30 / 38,6 x 5,3
6	1135.120	1	SPANKOLBEN	PISTON TENSION	BOULON DE TENSION	
7	1019.451	1	FETTFUELLNIPPEL	NIPPLE	NIPPLE	G 3 / 8 " x 37 mm
8	1135.100	1	LEITRADGABEL	IDLER BRACKET	FOURCHETTE DE ROUE GUIDAGE	Ref. 1135. 22
9	1022.004	1	SCHIEBEKUPPLUNG	BUTTON HEAD COUPLER	AGRAFE HYDRAULIQUE	Ø 22 MM / M 10 x 1

SPANNPAKET BAUKLASSE 1.5	ADJUSTING DEVICE CONSTR. CLASS 1.5	DISPOSITIV DE SERRAGE CLASSE DE CONSTR. 1.5	16 - 265	13.30.301
-----------------------------	---------------------------------------	--	----------	------------------